

AUTOMATIC OPEN EXTENSION REELS FOR HOSE

TO2K-TO3K
TO4K-TO5K
TO6K

Compressed air, water, steam, oil, lubricant,
propane, oxygen, acetylene

TO2K

TO3K

TO4K

TO5K - TO6K

APPLICATION

For workshops, maintenance services, building site, installers, etc...

- Extend the life-span of your hose
- Ensure the safety of personnel
- Eliminate dangerous hose on the floor
- Avoid knotting of hose
- Protect hoses and tools from impact damage

CONSTRUCTION

- Steel drum
- Fixed bracket
- Adjustable roller guide on TO3K and TO4K
- Working pressure up to 350 bar, depending on the model
- Rewind springs housed internally
- Ratchet and adjustable hose stop
- On models TO2K, TO3K and TO4K Epoxy finish paint
- On models TO5K and TO6K:
 - Epoxy paint finish on bracket and roller guide
 - Varnished, zinc-plated finish

OPTIONS

- Swivel bracket available on all models

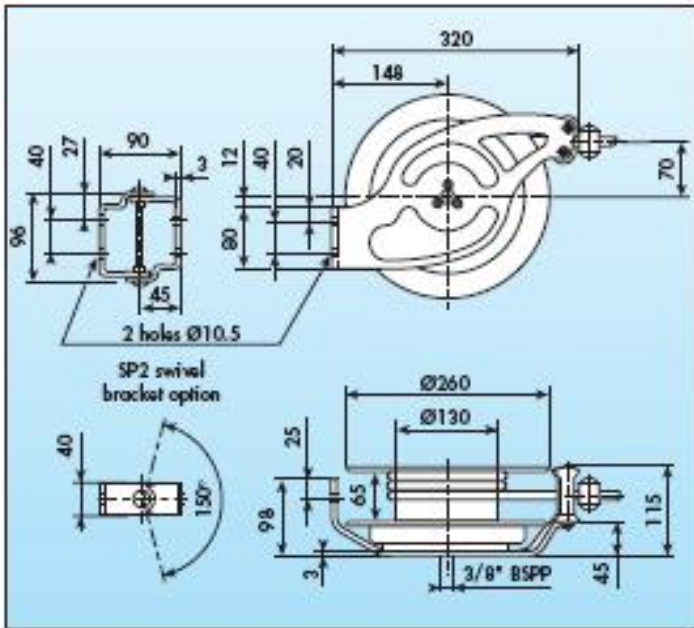
IDENTIFICATION

Example:
TO3K 091612 AC/EA
Reel fitted with ratchet, equipped with 15 m of compressed air / water hose of diameter 9 x 16 mm

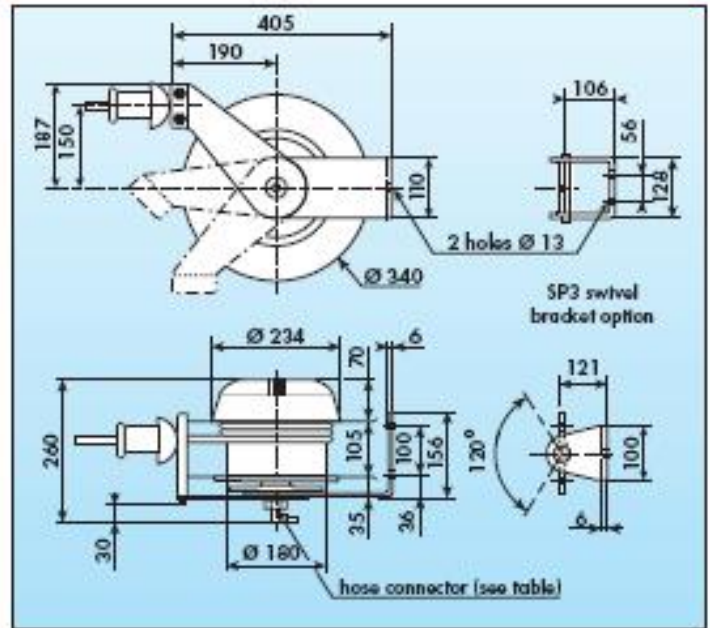


Open model

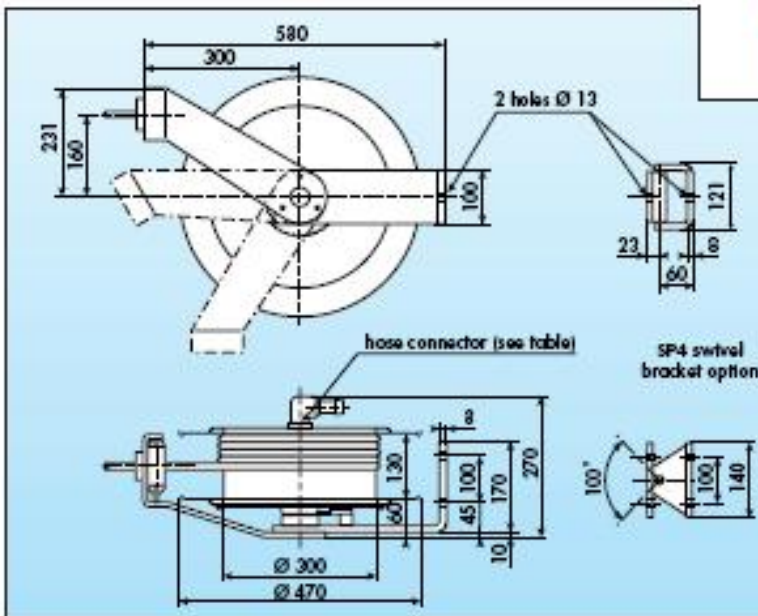
TO2K model



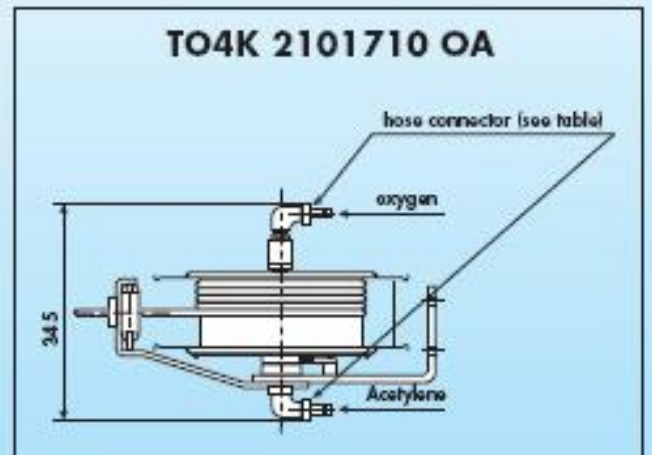
TO3K model



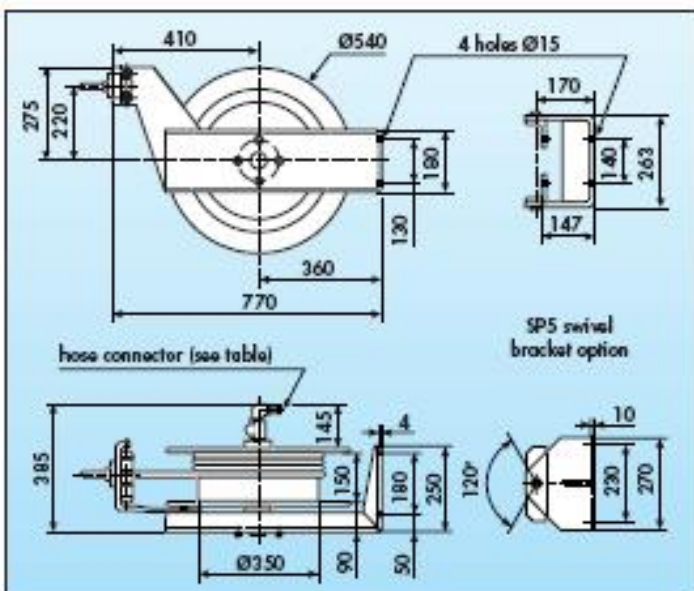
TO4K model



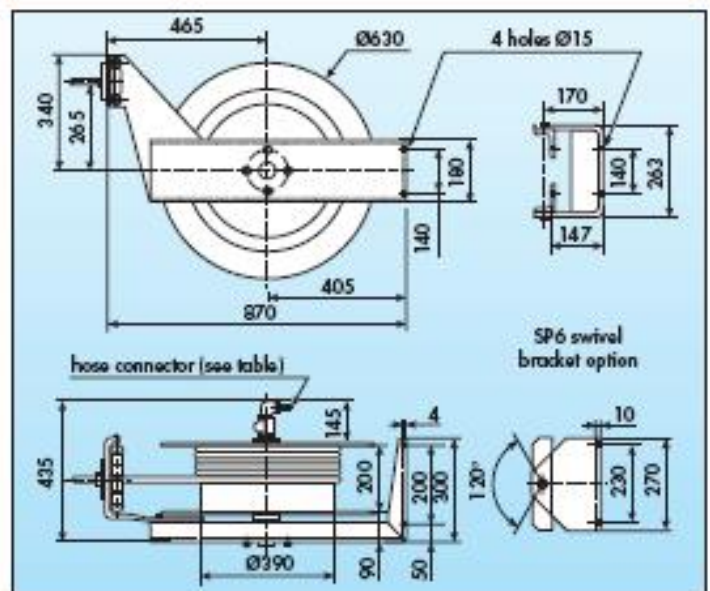
TO4K 2101710 OA



TO5K model



TO6K model



APPLICATION: COMPRESSED AIR AND WATER

Models	Capacities					hose connector	Weight in Kg	Replacement spring S (R) = Series P(R)=parallel L = extended
	Int./ext - diameter	Temp.	Pressure (bar)	Length in m	Hose connector			
TO3K 071315 AC/EA	7 x 13	60°	15	15	not fitted	Hose connector I.D. 7	15	(1L) 4 3 R45 028
TO3K 071320 AC/EA	7 x 13	60°	15	20	not fitted	Hose connector I.D. 7	16	(2S) 4 3 R45 015
TO4K 071330 AC/EA	7 x 13	60°	15	30	not fitted	Hose connector I.D. 7	25	(2S) 4 3 R45 018
TO2K 081312 AC/EA	8 x 13	40°	20	12	not fitted	Female thread 3/8" BSPP	7	(1S) 4 3 20F 034
TO3K 091610 AC/EA	9 x 16	60°	15	10	not fitted	Hose connector I.D. 9	16	(1S) 4 3 R45 015
TO3K 091615 AC/EA	9 x 16	60°	15	15	not fitted	Hose connector I.D. 9	17	(1L) 4 3 R45 028
TO4K 091625 AC/EA	9 x 16	60°	15	25	not fitted	Hose connector I.D. 9	25	(1S) 4 3 R45 018
TO5K 091630 AC/EA	9 x 16	60°	15	30	not fitted	Hose connector I.D. 9	58	(2S) 4 3 R45 019
TO5K 091640 AC/EA	9 x 16	60°	15	40	not fitted	Hose connector I.D. 9	60	(2S) 4 3 R45 019
TO3K 101715 AC/EA	10 x 17	60°	15	15	not fitted	Hose connector I.D. 10	17	(1L) 4 3 R45 028
TO5K 101730 AC/EA	10 x 17	60°	15	30	not fitted	Hose connector I.D. 10	59	(2S) 4 3 R45 019
TO3K 132110 AC/EA	13 x 21	60°	15	10	not fitted	Hose connector I.D. 13	17	(2P) 4 3 R45 015
TO4K 132120 AC/EA	13 x 21	60°	15	20	not fitted	Hose connector I.D. 13	26	(1S) 4 3 R45 018
TO5K 132125 AC/EA	13 x 21	60°	15	25	not fitted	Hose connector I.D. 13	60	(1S) 4 3 R45 019
TO5K 132130 AC/EA	13 x 21	60°	15	30	not fitted	Hose connector I.D. 13	62	(2S) 4 3 R45 019
TO6K 132140 AC/EA	13 x 21	60°	15	40	not fitted	Hose connector I.D. 13	78	(2S) 4 3 R45 020
TO4K 162610 AC/EA	16 x 26	60°	15	10	not fitted	Hose connector I.D. 16	25	(1S) 4 3 R45 018
TO5K 162620 AC/EA (1)	16 x 26	60°	15	20	not fitted	Hose connector I.D. 16	62	(1S) 4 3 R45 019
TO6K 162630 AC/EA	16 x 26	60°	15	30	not fitted	Hose connector I.D. 16	80	(1S) 4 3 R45 020
TO4K 192910 AC/EA	19 x 29	60°	15	10	not fitted	Hose connector I.D. 19	25	(1S) 4 3 R45 018
TO5K 192915 AC/EA	19 x 29	60°	15	15	not fitted	Hose connector I.D. 19	60	(1S) 4 3 R45 019
TO6K 192920 AC/EA (1)	19 x 29	60°	15	20	not fitted	Hose connector I.D. 19	77	(1S) 4 3 R45 020
TO6K 192925 AC/EA (1)	19 x 29	60°	15	25	not fitted	Hose connector I.D. 19	80	(1S) 4 3 R45 020
TO5K 253510 AC/EA	25 x 35	60°	15	10	not fitted	Hose connector I.D. 25	60	(1S) 4 3 R45 019
TO6K 253515 AC/EA (1)	25 x 35	60°	15	15	not fitted	Hose connector I.D. 25	78	(1S) 4 3 R45 020
TO6K 253520 AC/EA (1)	25 x 35	60°	15	20	not fitted	Hose connector I.D. 25	82	(1S) 4 3 R45 020

APPLICATION: COMPRESSED AIR, (metallic braided hose)

Models	Capacities					hose connector	Weight in Kg	Replacement spring S (R) = Series P(R)=parallel L = extended
	Int./ext - diameter	Temp.	Pressure (bar)	Length in m	Hose connector			
TO3K 071320 TM	7 x 13	60°	15	20	drake	Hose connector I.D. 7	16	(2S) 4 3 R45 015
TO4K 071330 TM	7 x 13	60°	15	30	drake	Hose connector I.D. 7	25	(2S) 4 3 R45 018

APPLICATION: OIL

Models	Capacities					hose connector	Weight in Kg	Replacement spring S (R) = Series P(R)=parallel L = extended
	Int./ext - diameter	Temp.	Pressure (bar)	Length in m	Hose connector			
TO3K 101710 HU	10 x 17	60°	60	10	gas thread 3/8"	female thread 3/8" BSPP	16	(2P) 4 3 R45 015
TO4K 101720 HU	10 x 17	60°	60	20	gas thread 3/8"	male thread 3/8" BSP	25	(1S) 4 3 R45 018
TO3K 132010 HU(2)	13 x 20	60°	60	10	gas thread 1/2"	male thread 1/2" BSP	17	(2P) 4 3 R45 015
TO4K 132018 HU	13 x 20	60°	60	18	gas thread 1/2"	male thread 1/2" BSP	25	(1SR) 4 3 R45 02

- (1) Winding aid required if hose is filled with water
 (2) Hose connector mounted on opposite side of reel, cover removed.

APPLICATION: HIGH PRESSURE LUBRICANT AND OIL

Models	Capacities					hose connector	Weight in Kg	Replacement spring S (R) = Series P(R)=parallel L = extended
	Int./ext - diameter	Temp.	Pressure (bar)	Length in m	Hose connector			
TO3K 061310 GR	6 x 13	60°	350	10	gas male 1/4"	Female thread 1/4" BSPP	17	(2P) 4 3 R45 015
TO4K 061318 GR	6 x 13	60°	350	18	gas male 1/4"	Male thread 1/4" BSP	28	(1SR) 4 3 R45 026
TO3K 101710 GR	10 x 17	60°	350	10	gas male 3/8"	Female thread 3/8" BSPP	19	(2P) 4 3 R45 015
TO4K 101720 GR	10 x 17	60°	350	20	gas male 3/8"	Male thread 3/8" BSP	28	(2P) 4 3 R45 018
TO4K 132110 GR	13 x 21	60°	300	10	gas male 1/2"	Male thread 1/2" BSP	25	(1S) 4 3 R45 018
TO4K 132120 GR	13 x 21	60°	300	20	gas male 1/2"	Male thread 1/2" BSP	28	(2PR) 4 3 R45 026

APPLICATION: HIGH PRESSURE STEAM

Models	Capacities					hose connector	Weight in Kg	Replacement spring S (R) = Series P(R)=parallel L = extended
	Int./ext - diameter	Temp.	Pressure (bar)	Length in m	Hose connector			
TO3K 061410 VA	6 x 14	150°	200	10	ETK 22	Female thread 1/4" BSPP	16	(2P) 4 3 R45 015
TO4K 061425 VA	6 x 14	150°	200	25	ETK 22	Male thread 1/4" BSP	28	(2P) 4 3 R45 018
TO3K 081610 VA	8 x 16	150°	200	10	ETK 22	Female thread 1/4" BSPP	17	(2P) 4 3 R45 015
TO4K 081625 VA	8 x 16	150°	200	25	ETK 22	Male thread 1/4" BSP	28	(2P) 4 3 R45 018

APPLICATION: OXYGEN (blue PLUTON hose – Norms EN559 and ISO 3821)

Models	Capacities					hose connector	Weight in Kg	Replacement spring S (R) = Series P(R)=parallel L = extended
	Int./ext - diameter	Temp.	Pressure (bar)	Length in m	Hose connector			
TO3K 101810 OX	10 x 18	-	20	10	not fitted	Hose connector I.D. 10	16	(1S) 4 3 R45 015
TO3K 101815 OX	10 x 18	-	20	15	not fitted	Hose connector I.D. 10	18	(2S) 4 3 R45 015

APPLICATION: PROPANE (orange VULPANE hose – Norms EN559 and ISO 3821)

Models	Capacities					hose connector	Weight in Kg	Replacement spring S (R) = Series P(R)=parallel L = extended
	Int./ext - diameter	Temp.	Pressure (bar)	Length in m	Hose connector			
TO3K 101810 PR	10 x 18	-	20	10	not fitted	Hose connector I.D. 10	16	(1S) 4 3 R45 015
TO3K 101815 PR	10 x 18	-	20	15	not fitted	Hose connector I.D. 10	17	(1L) 4 3 R45 028

APPLICATION: OXYGEN / ACETYLENE (twinned red / blue hose – Norms EN559 and ISO 3821)

Models	Capacities					hose connector	Weight in Kg	Replacement spring S (R) = Series P(R)=parallel L = extended
	Int./ext - diameter	Temp.	Pressure (bar)	Length in m	Hose connector			
TO4K 2101710 OA	2 x 10 x 17	-	10	10	not fitted	Hose connector I.D. 10	25	(1S) 4 3 R45 018

APPLICATION: OXYGEN (with quality supply hose)

Models	Capacities					hose connector	Weight in Kg	Replacement spring S (R) = Series P(R)=parallel L = extended
	Int./ext - diameter	Temp.	Pressure (bar)	Length in m	Hose connector			
TO3K 081415 AL	8 x 14	60°	15	15	not fitted	Hose connector I.D. 8	15	(1L) 4 3 R45 028
TO3K 081420 AL	8 x 14	60°	15	20	not fitted	Hose connector I.D. 8	16	(2S) 4 3 R45 015
TO3K 101615 AL	10 x 16	60°	15	15	not fitted	Hose connector I.D. 10	16	(1L) 4 3 R45 028
TO4K 101620 AL	10 x 16	60°	15	20	not fitted	Hose connector I.D. 10	23	(1S) 4 3 R45 018
TO3K 121810 AL	12 x 18	60°	15	10	not fitted	Hose connector I.D. 12	16	(1S) 4 3 R45 015
TO4K 121820 AL	12 x 18	60°	15	20	not fitted	Hose connector I.D. 12	23	(1S) 4 3 R45 018

AUTOMATIC ENCLOSED EXTENSION REELS FOR HOSE

TF2K - TF3K

Compressed air, water



TF2K



TF3K

APPLICATION

For workshops, maintenance services, building site, installers, etc...

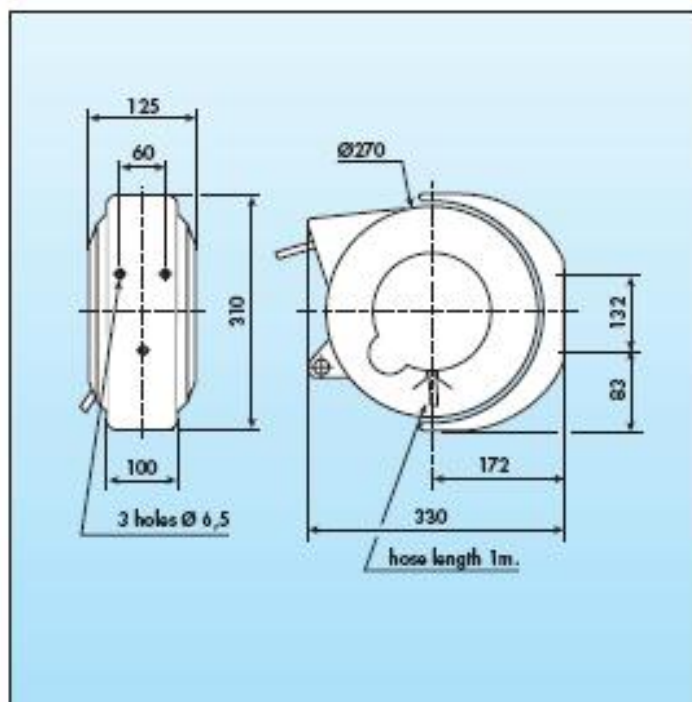
- Extend the life-span of hose
- Ensure the safety of personnel
- Eliminate dangerous hose on the floor
- Avoid knotting of hose
- Protect hoses and tools from impact damage

CONSTRUCTION

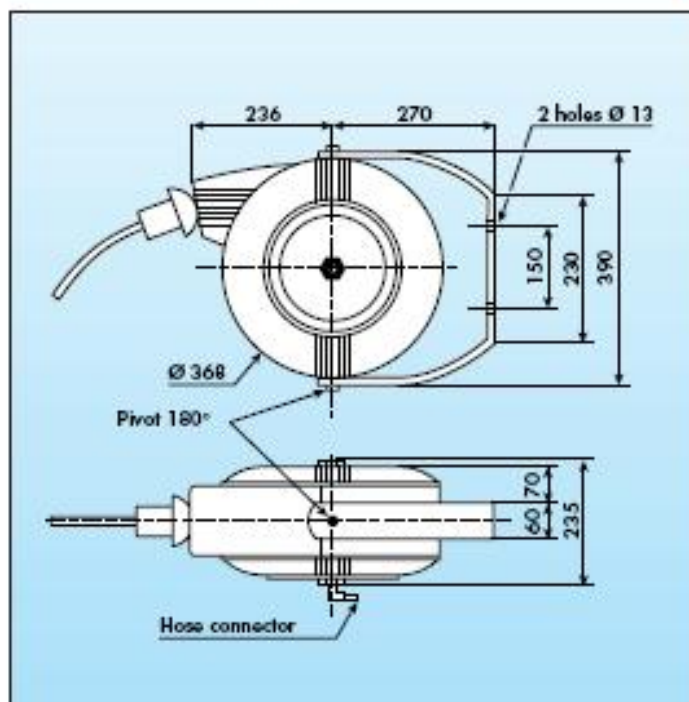
- Steel casing on TF3K
- ABS casing on TF2K
- Fited with swivel brackets
- Internal roller guide
- Rotary joint
- Working pressure up to 15 bar, depending on the model
- Rewind springs housed internally
- Ratchet and adjustable hose stop
- Epoxy paint finish on the TF3K

Enclosed model

TF2K model



TF3K model



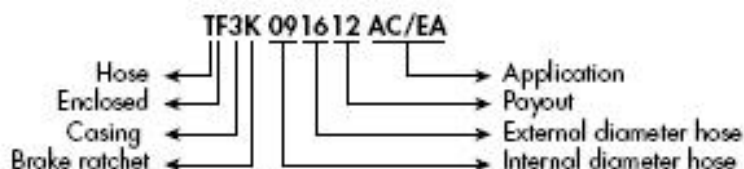
MODELS AND CAPACITIES

Application	Models	Capacities					Weight in Kg	Replacement spring S (R) = Series L = extended
		Int./ext diameter	Temp.	Pressure (bar)	Length in m	Hose connector		
COMPRESSED AIR	TF2K 061211 AC	6 x 12	60°	12	11	not fitted	4	-
	TF2K 081510 AC	8 x 15	60°	12	10	not fitted	4	-
COMPRESSED AIR, WATER	TF3K 071310 AC/EA	7 x 13	60°	15	10	not fitted	19	(1S) 4 3 R45 015
	TF3K 071315 AC/EA	7 x 13	60°	15	15	not fitted	20	(1L) 4 3 R45 028
	TF3K 071320 AC/EA	7 x 13	60°	15	20	not fitted	21	(2S) 4 3 R45 015
	TF3K 091612 AC/EA	9 x 16	60°	15	12	not fitted	21	(1L) 4 3 R45 028
	TF3K 101710 AC/EA	10 x 17	60°	15	10	not fitted	20	(1S) 4 3 R45 015

IDENTIFICATION

Example: TF3K 091612 AC/EA

Reel fitted with ratchet, equipped with 12 m of compressed air/water hose of diameter 9 x 16 mm



AUTOMATIC OPEN EXTENSION REELS FOR ELECTRICAL CABLE

LO2K - LO3K - LO4K



LO2K



LO3K



LO4K

APPLICATION

For workshops, maintenance services, building sites, installers...

- Extend power closer to work area
- Extend the life-span of your cables
- Ensure the safety of personnel
- Avoid knotting of cables

CONSTRUCTION

- Steel drum body
- Fitted with standard H07 RNF cable
- Fixed bracket
- Adjustable roller cable guides on LO3K and LO4K
- On model LO2K, 16A slipring fitted in steel housing, max. voltage 440 V ac / 220 V dc
- On model LO3K, 24-50A slipring fitted in polypropylene or steel housing, max. voltage 500V ac / dc
- On model LO4K, 24-50A slipring fitted in steel housing, max. voltage 500 V ac / dc
- Level of protection: IP 55
- Rewind springs housed internally
- Ratchet and adjustable cable stop
- Epoxy paint finish

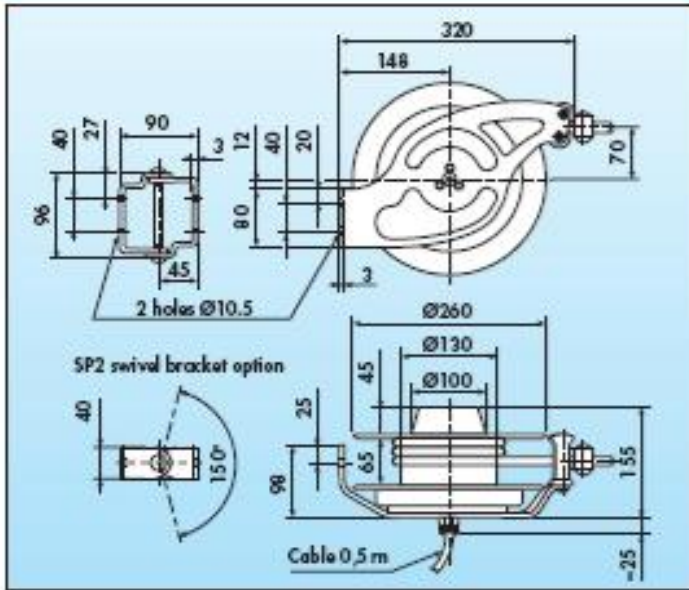
OPTIONS

- Swivel brackets on all models

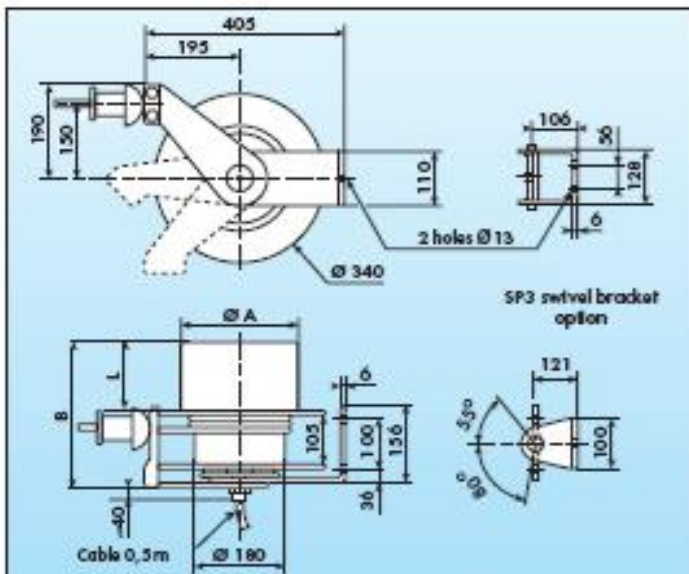
SA **PROMEBAT** NV

Open Model

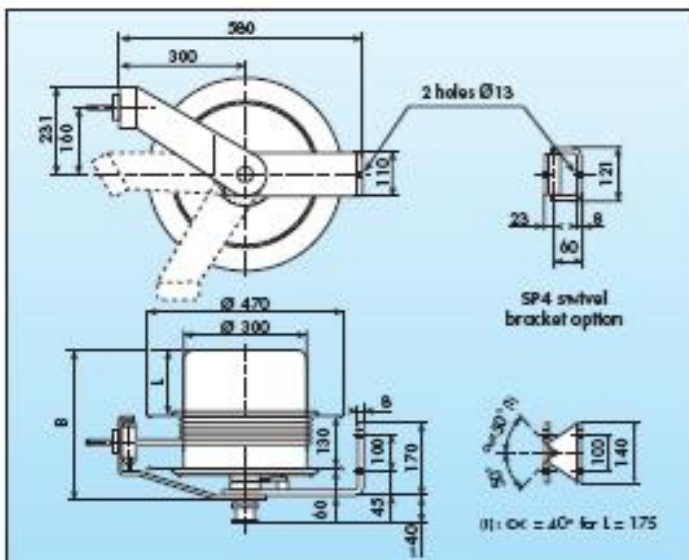
LO2K Model



LO3K Model



LO4K Model



MODELS AND CAPACITIES

Models	Number of cores	A* max.	Length (a m)	A	B	L	Weight in Kg	Type of replacement spring S(R) - series L - Extended
LO2K 031512 RN	3G1,5	12 A	12	-	-	-	7,5	(1S) 4 3 20F 034
LO3K 031516 RN	3G1,5	16 A	16	234	225	78	18	(1L) 4 3 R45 028
LO3K 031520 RN	3G1,5	16 A	20	234	225	78	19	(2S) 4 3 R45 015
LO2K 041512 RN	4G1,5	12 A	12	-	-	-	8	(1S) 4 3 20F 034
LO3K 041516 RN	4G1,5	16 A	16	234	225	78	19	(1L) 4 3 R45 028
LO3K 041520 RN	4G1,5	16 A	20	234	225	78	20	(2S) 4 3 R45 015
LO2K 051512 RN	5G1,5	12 A	12	-	-	-	6,5	(1S) 4 3 20F 034
LO3K 051520 RN	5G1,5	16 A	20	234	290	145	20	(2S) 4 3 R45 015
LO4K 051525 RN	5G1,5	16 A	25	-	335	125	27	(1S) 4 3 R45 018
LO3K 071520 RN	7G1,5	12 A	20	220	285	140	22	(2S) 4 3 R45 015
LO4K 121515 RN	12G1,5	9 A	15	-	410	175	29	(1SR) 4 3 R45 026
LO2K 032512 RN	3G2,5	16 A	12	-	-	-	8,5	(1S) 4 3 20F 034
LO3K 032516 RN	3G2,5	24 A	16	234	225	78	19	(1L) 4 3 R45 028
LO3K 032520 RN	3G2,5	24 A	20	234	225	78	20	(2S) 4 3 R45 015
LO2K 042510 RN	4G2,5	16 A	10	-	-	-	8,5	(1S) 4 3 20F 034
LO3K 042516 RN	4G2,5	24 A	16	234	225	78	20	(1L) 4 3 R45 028
LO3K 042520 RN	4G2,5	24 A	20	234	225	78	21	(2S) 4 3 R45 015
LO4K 042525 RN	4G2,5	24 A	25	-	335	125	28	(1S) 4 3 R45 018
LO3K 052513 RN	5G2,5	24 A	13	234	290	145	20	(1L) 4 3 R45 028
LO4K 052520 RN	5G2,5	24 A	20	-	335	125	28	(1S) 4 3 R45 018
LO4K 072515 RN	7G2,5	16 A	15	-	335	125	29	(1S) 4 3 R45 018
LO3K 040415 RN	4G4	34 A	15	220	285	140	22	(2S) 4 3 R45 015
LO4K 040615 RN	4G6	44 A	15	-	335	125	29	(1SR) 4 3 R45 026
LO4K 050420 RN	5G4	34 A	20	-	410	175	30	(1SR) 4 3 R45 026
LO4K 050620 RN	5G6	44 A	20	-	410	175	31	(1SR) 4 3 R45 026

RN - Standard H07 RNF electrical cable

* Amperage indicated is for fully unwound cable

IDENTIFICATION

Example: LO3K 041516 RN

Open reeling drum with ratchet, fitted with 16 m 4 G 1,5 H 07 RNF cable



AUTOMATIC ENCLOSED EXTENSION REELS FOR ELECTRICAL CABLE

LF2K - LF3K



LF2K



LF3K

APPLICATION

For workshops, maintenance services, building sites, installers...

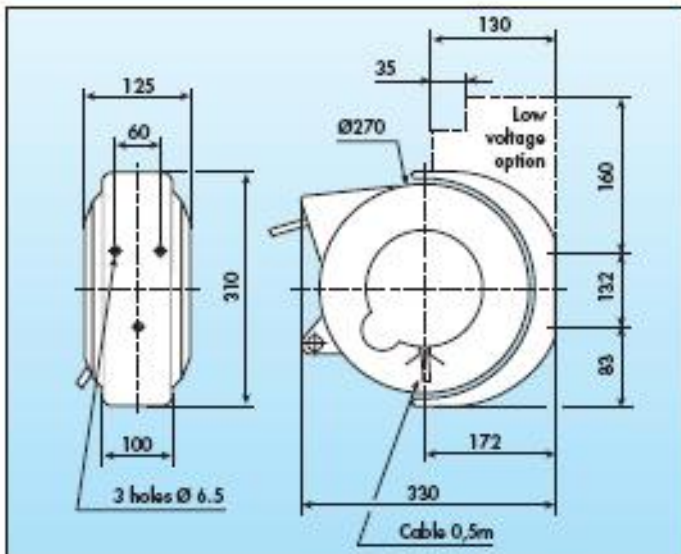
- Extend power closer to work area
- Extend the life-span of your cables
- Ensure the safety of personnel
- Avoid knotting of cables

CONSTRUCTION

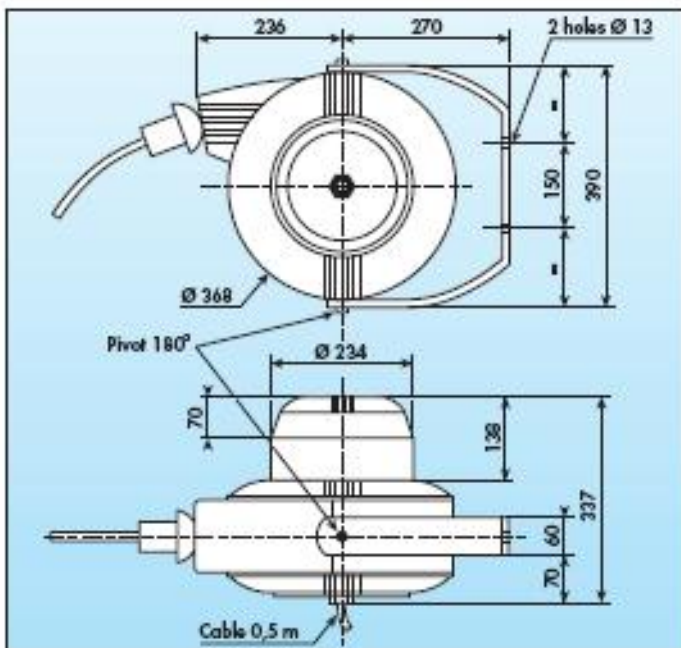
- Steel sheet casing on LF3K model
- ABS casing on LF2K model
- Fitted with H07 RNF or H05 VVF cable
- Complete with swivel brackets
- Roller cable guides on LF2K and LF3K models
- 500V ac/dc – 30A slipping on LF3K model, in a polypropylene housing
- Level of protection: IP42 on LF2K and IP 55 on LF3K
- Rewind springs housed internally
- Ratchet and adjustable cable stop
- Epoxy paint finish on LF3K

Enclosed Model

LF2K Model



LF3K Model



MODELS AND CAPACITIES

Models	Capacities			Weight in Kg	Type of replacement spring S - series L - Extended
	Number of cores/section	A* max.	length in m		
LF2K 030114 VV	3 G 1	5 A	14	4	-
LF2K 020116 VVB (A)	2x1	6 A	16	4	-
LF2K 020116 VVT (A+B)	2x1	6 A	16	6	-
LF2K 031512 VV	3 G 1,5	6 A	12	4	-
LF2K 032508 VV	3 G 2,5	10 A	8	4	-

LF3K 031515 RN	3 G 1,5	16 A	15	23	(1U) 4 3 R45 028
LF3K 031520 RN	3 G 1,5	16 A	20	24	(2S) 4 3 R45 015
LF3K 041515 RN	4 G 1,5	16 A	15	25	(1U) 4 3 R45 028
LF3K 041520 RN	4 G 1,5	16 A	20	26	(2S) 4 3 R45 015
LF3K 032516 RN	3 G 2,5	24 A	16	24	(1U) 4 3 R45 028
LF3K 032520 RN	3 G 2,5	24 A	20	25	(2S) 4 3 R45 015
LF3K 042515 RN	4 G 2,5	24 A	15	25	(1U) 4 3 R45 028

VV - Standard H05 VVF electrical cable

RN - Standard H07 RNF electrical cable

(A) - Reel fitted with hand lamp handle incorporating on/of switch and galvanized lamp cover

(B) - Extension reel with 230 V - 24 V transformer, protected by 2.5 A fuse

* Amperage indicated is for fully unwound cable

IDENTIFICATION

Example: LF3K 0416 1515 RN

Enclosed reeling drum with ratchet, fitted with 15 m 4 C 1.5 H 07 RNF cable



EARTH BONDING REELS

MALT




MT2K - MT3K



MF3K



MO2K



MO3K - MO4K + 100A
safety clamp option

APPLICATION

To provide a temporary earthing connection:

- Either for the elimination of electrostatic charges (e.g. fuel supply vehicles)
- Or to provide protection to individuals by removing fault currents (e.g. mobile generators)

CONSTRUCTION

- Robust steel construction
- Swivel model with metal pivot or fixed model supplied with fixings manufactured from insulating material
- Roller guide
- Rewind springs housed internally
- Ratchet and adjustable cable stop
- EPOXY paint finish
- Single core, flexible durable cable with PVC green/yellow sheath

DESCRIPTION

- For electrostatic charges, a section of 4mm² or 6mm² is sufficient
- For the protection of individuals, refer to table 1 – Article 5.2 of norm EN 60204, below.

Installation PHASE conductor section (mm ²)	EARTH conductor section
$S \leq 16$	S
$16 < S \leq 35$	16
$S > 35$	S/2

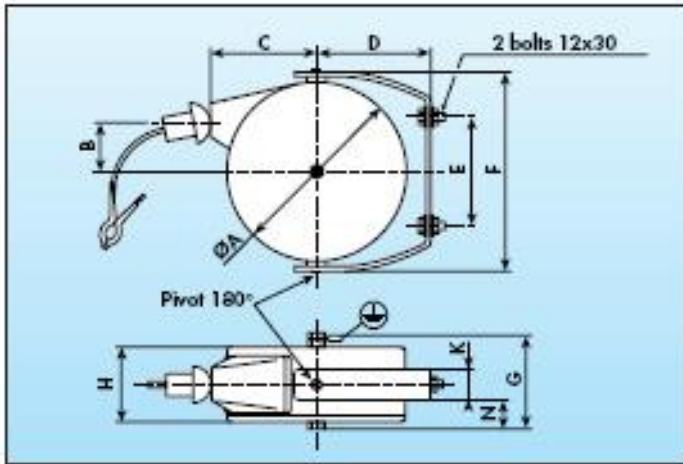
INSTALLATION

- Our reels are delivered assembled and ready for use. They simply require attachment to a vertical support and then the necessary cable connections need to be made
- Terminals are used to connect the cable to the reel
- Connections at the ends of the cable:
 - electrostatic charges: by 100A petroleum clamp, in conformity to NFN88070 – passed on 09/11/1972
 - protection of individuals: by terminal (clip at the end of the cable to be unwound)
- In accordance with the intended usage, please refer to the instructions

OPTIONS

- Self-opening, 100A safety clamp
- Swivel brackets on open models

Enclosed model



DIMENSIONS

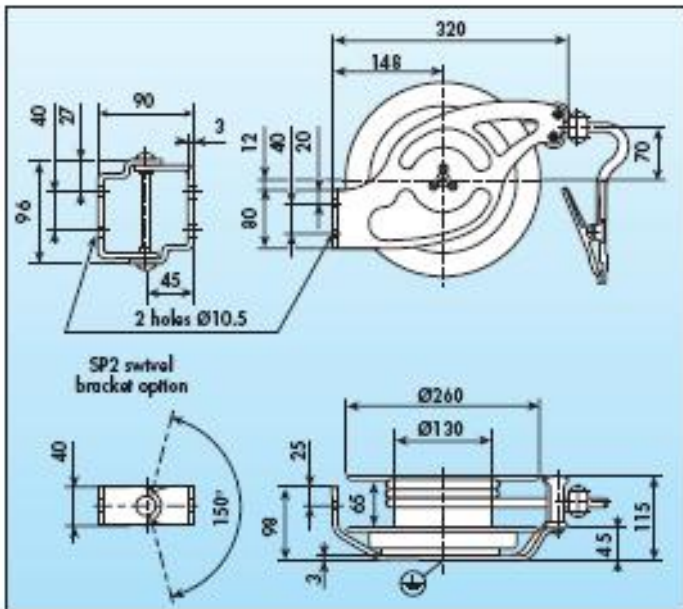
	ØA	B	C	D	E	F	G	H	K	N
MT2K	196	53	110	135	100	230	145	118	30	56
MT3K	303	88	160	208	220	340	184	157	40	73
MF3K	368	105	236	219	150	390	215	195	60	70

MODELS AND CAPACITIES

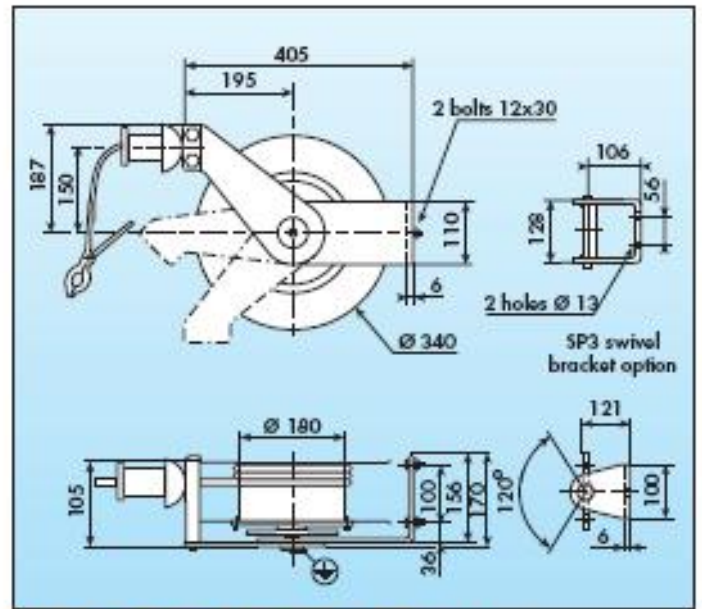
Model	Cable			Weight in Kg	Replacement spring S = series
	Section	Outer diam (Ø)	Length		
MT2K 010410 MA	1 x 4 mm ²	7,5 mm	10 m	10	(2S) 101 900
MT3K 010415 MA	1 x 4 mm ²	7,5 mm	15 m	19	(2S) 115 141
MT3K 011012 MA	1 x 10 mm ²	10,5 mm	12 m	22	(2S) 115 141
MF3K 011022 MA	1 x 10 mm ²	10,5 mm	22 m	25	(2S) 4 3 R45 015
MF3K 012520 MA	1 x 25 mm ²	13,5 mm	20 m	25	(2S) 4 3 R45 015

Open model

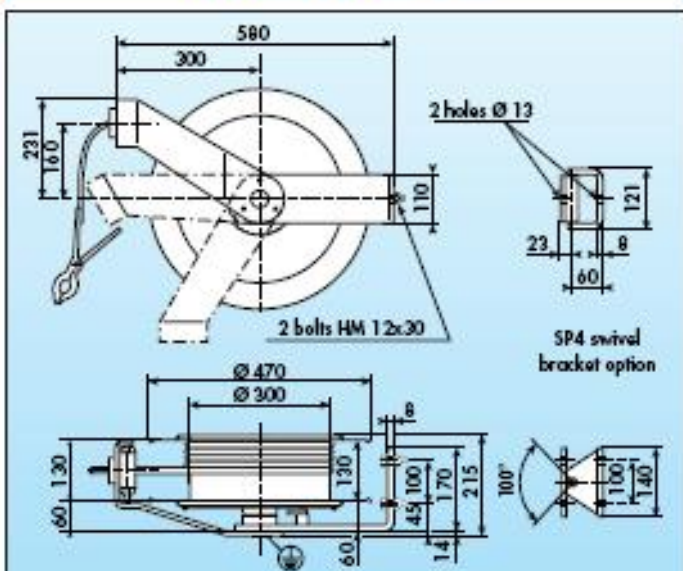
MO2K Model



MO3K Model



MO4K Model



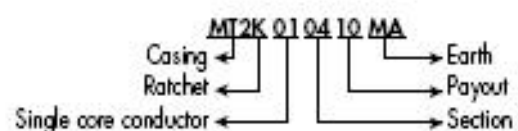
MODELS AND CAPACITIES

Model	Cable			Weight in Kg	Replacement spring S = Series P = Parallel
	Section	Outer diam (Ø)	Length		
MO2K 010612 MA	1 x 6 mm ²	9,5 mm	12 m	7	(1S) 4 3 20F 034
MO3K 011022 MA	1 x 10 mm ²	10,5 mm	22 m	12	(2S) 4 3 R45 015
MO4K 011030 MA	1 x 10 mm ²	10,5 mm	30 m	25	(2S) 4 3 R45 018
MO3K 012520 MA	1 x 25 mm ²	13,5 mm	20 m	17	(2S) 4 3 R45 015
MO4K 012525 MA	1 x 25 mm ²	13,5 mm	25 m	30	(2P) 4 3 R45 018
MO4K 013520 MA	1 x 35 mm ²	15,5 mm	20 m	30	(1SR) 4 3 R45 026

IDENTIFICATION

Example: MT2K 01 04 10 MA

Reel fitted with 10 m of 1 x 4mm² earthing cable



INDUSTRIAL REELING DRUMS WITH ELECTRICAL CABLE FOR MOBILE MACHINES

EXEL

To power and control mobile machines (overhead cranes, hoists, gantry cranes, lighting rigs, etc.).



EXEL 1



EXEL 2 + SE/BR



EXEL 2 + SP

APPLICATION

- To supply power and control to mobile industrial machinery
- Installation can be to a fixed point or to a mobile piece of machinery, and the cable can be supported or unsupported, with cable retrieve or vertical rewind.

CONSTRUCTION

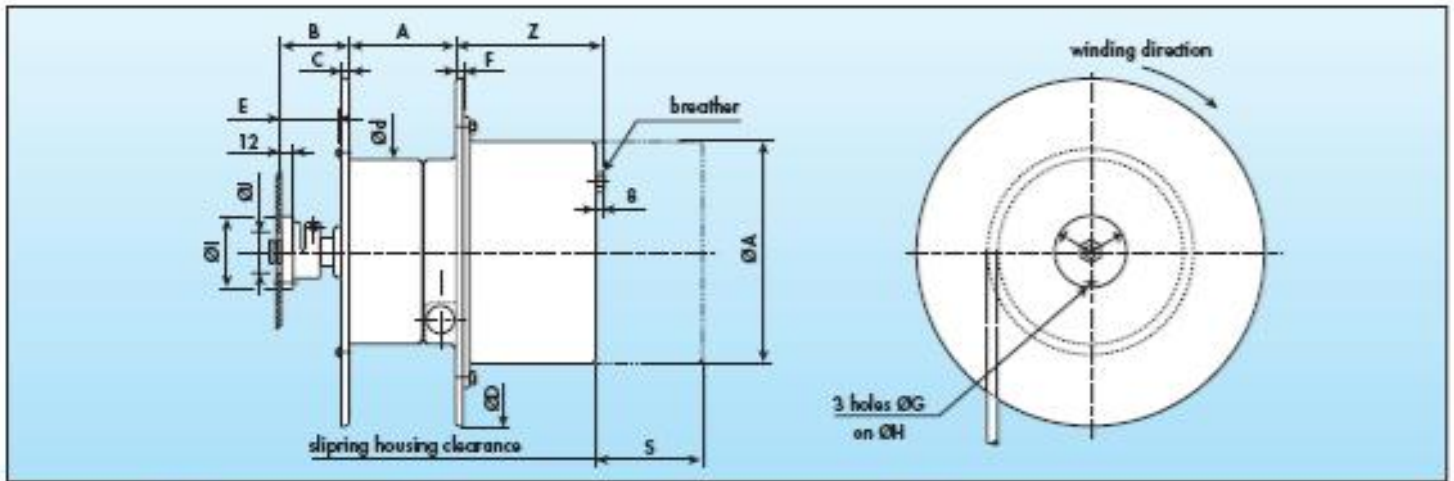
- Steel drum body
- Mounted on permanently sealed roller bearings
- Advanced technology incorporating an automatic spring release and return system
- Slipping installed in steel external housing
- Easy access for maintenance purposes

PROTECTION

- Varnished, zinc-plated finish, all internal parts treated
- Level of protection: IP 55
- Profiled gland and seal system

OPTIONS

- Fixed bracket, roller guide and swivel bracket (Epoxy paint finish)



General dimensions of the standard flange model

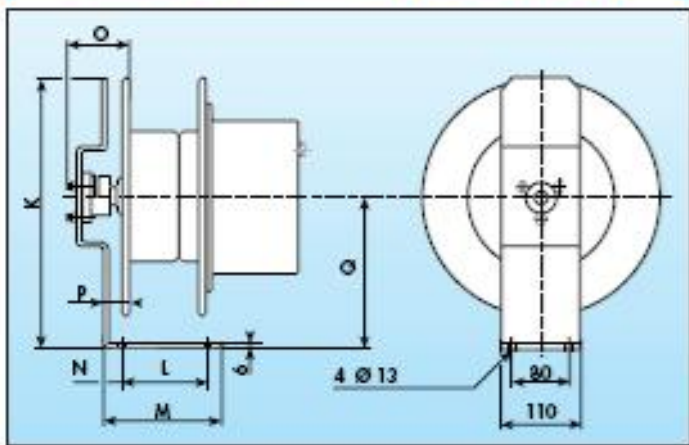
	drum						mounting flange				weight in kilos	slipping type												
	ØD	Ød	A	B	C	E	F	ØG	ØH	ØI		ØJ	3TC8 (24A)			6TC8 (24A)			11TC8 (24A)			3TP050 (50A)		
													ØA	Z	S	ØA	Z	S	ØA	Z	S	ØA	Z	S
EXEL 1	340	180	105	66	6	53	11	7	60	70	40	14	234*	82	71	220	144	125	-	-	-	220	144	125
EXEL 2	390	220	115	84	10	57	17	9	90	108	50	16	220	150	125	-	-	-	220	225	200	-	-	-

Dimensions of options (SE, SE/BR and SP)

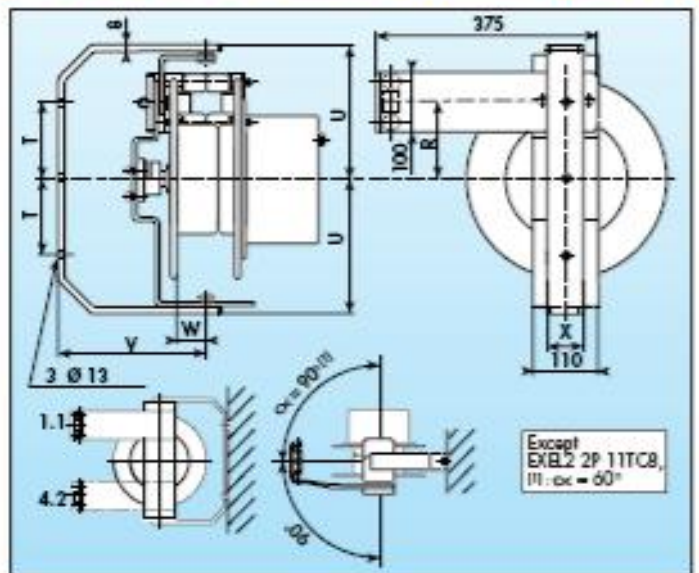
	K	L	M	N	O	P	Q	R	T	U	V	W	X	weight in kilos		
														SE	SE/BR	SP**
EXEL 1	384	120	167	27	82	35	213	131	130	225	250	52	60	3	5	8,5
EXEL 2	431	125	180	35	100	52	236	153	150	249	300	43	80	3,5	6	10

* polypropylene housing without breather
 ** Includes SE/BR

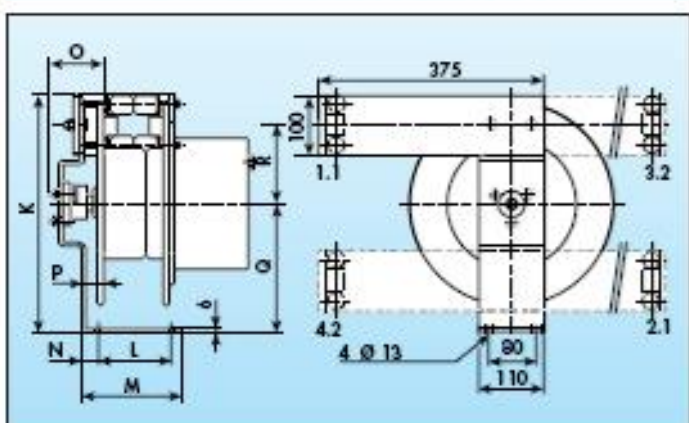
Fixed bracket option (SE)



Swivel bracket option (SP)



Fixed bracket option with roller guide (SE/BR)



IDENTIFICATION

Example: EXEL 2 2SR 3TC8 042521 GPM NA=6 with flange
 Fitted with GPM - 21m 4 C 2.5² cable

- Type _____ EXEL2 2 5 R 3 T C 8 04 25 21 GPM NA=6
- Number of springs _____
- Spring mounting / Series / Parallel _____
- Type of spring / Reinforced / Extended _____
- Slipping - number of phase rings _____
- Earth ring _____
- Core _____
- Number of cores _____
- Section of cable _____
- Payout _____
- Cable type _____
- Number of pretums _____

MANUAL REWIND DRUMS

MAP



MAP 206 + trolley

APPLICATION

On building sites, in the factory, for maintenance services and installers:

- Extend power closer to work area
- Extend the life-span of your cables
- Ensure the safety of personnel

CONSTRUCTION

These portable winding drums are robust, practical and multi-purpose

MAP series 100 and 200

- Rigid and stable chassis
- Rubber-coated handle
- Drum-body made of pressed, heavy gauge, metal sheet
- Epoxy paint finish

MAP series 400 R and 500 R

- Drum-body mounted on mobile trolley with rubber coated wheels
- Tubular steel chassis, with Epoxy paint protection
- Hot dip galvanised steel drum body
- Manual cable or hose unwinding brake mechanism
- Fitted with a cable or hose hanging bracket

OPTIONS

- The MAP200 series can be fitted with a two-wheeled, mobile trolley-support (trolley weight: 5 Kg)

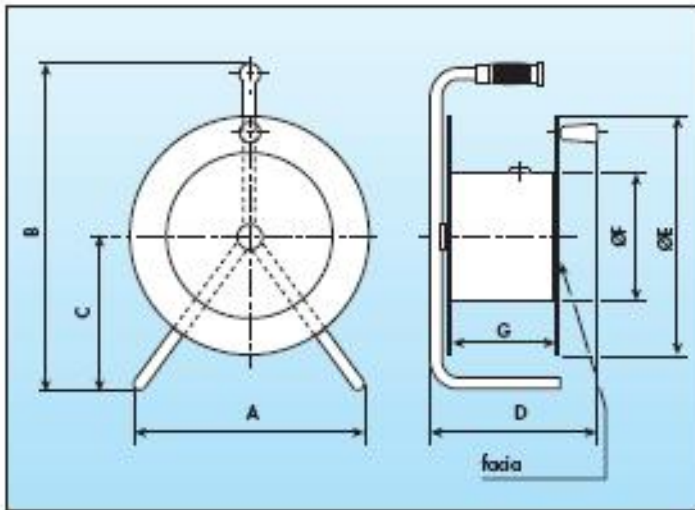


MAP 506 R

MAP series 100 and 200

DESCRIPTION

MAP 106 and 206: winding drum without sockets with flat steel facia for cables or hoses



CAPACITIES

(Length in metres)

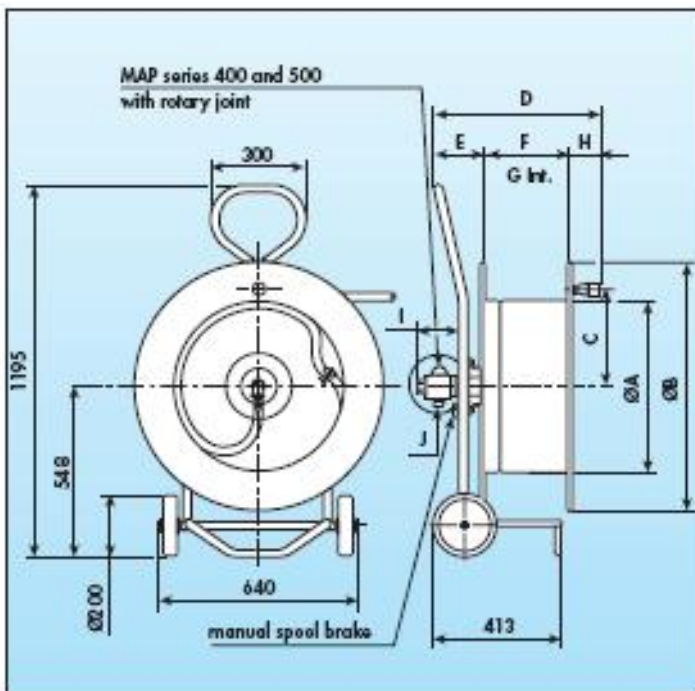
	outside diameter of cable or hose									
	5	6	7	8	10	12	14	16	18	20
Series 100	185	125	95	75	40	25	—	—	—	—
Series 200	600	435	330	235	160	105	80	55	40	38

DIMENSIONS AND WEIGHT

(without cable or hose)

	A	B	C	D	E	F	G	Weight
Series 100	280	400	185	200	288	155	130	4 kg
Series 200	340	535	240	255	442	204	175	9 kg

MAP series 400 R and 500 R



DESCRIPTION

Without hose

- MAP 406 R
- MAP 506 R

MAP 406R and 506R winding drum with rotary joint for compressed air and water

- MAP 400 R RT3/4"BP
- MAP 500 R RT3/4"BP
- MAP 500 R RT1"BP

Maximum working pressure: 20 bar

CAPACITIES

(Length in metres)

	outside diameter of hose										
	10	12	14	16	18	20	22	24	26	28	30
Series 400	265	180	135	100	70	60	44	45	28	26	24
Series 500	630	400	310	230	170	150	110	95	65	63	60

DIMENSIONS AND WEIGHT (without hose)

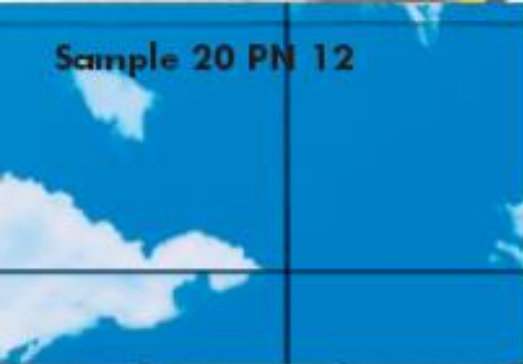
	A	B	C	D	E	F	G	H	I	External hose connector to fixed part J	Weight
MAP 406 R	350	600	192	411	158	156	196	96	—	n/a	33 kg
MAP 506 R	550	800	312	530	168	260	310	102	—	n/a	43 kg
MAP 400 R RT3/4"BP	350	600	192	411	158	156	196	96	90	int. dia. 19mm	34 kg
MAP 500 R RT3/4"BP	550	800	312	530	168	260	310	102	90	int. dia. 19mm	44 kg
MAP 500 R RT1"BP	550	800	312	530	168	260	310	102	110	1" BSPP female thread	44 kg

RETRACTABLE BARRIER REELS

P.N.



Sample 20 PN 12



Sample 14 mtr Pit kit

APPLICATION

- For road, rail, work-site, factory, airports, etc.

CONSTRUCTION

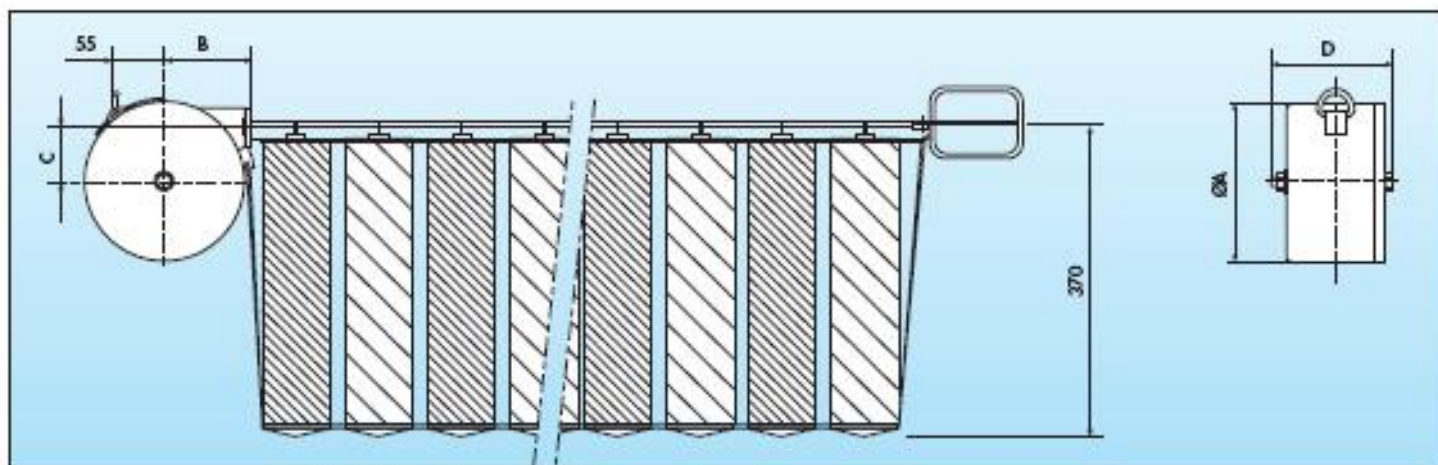
- Steel casing
- A water repellent material banner, made up of vertical red and white alternate bands, is held up by a steel rope and runner, using the rings attached
One end of the banner is fixed to the reel, the other to a handle
- Rewind is by internally housed springs
- Epoxy paint finish

OPTIONS

- Banner reflectors

SA **PROMEBAT** NV

RETRACTABLE BARRIER REELS



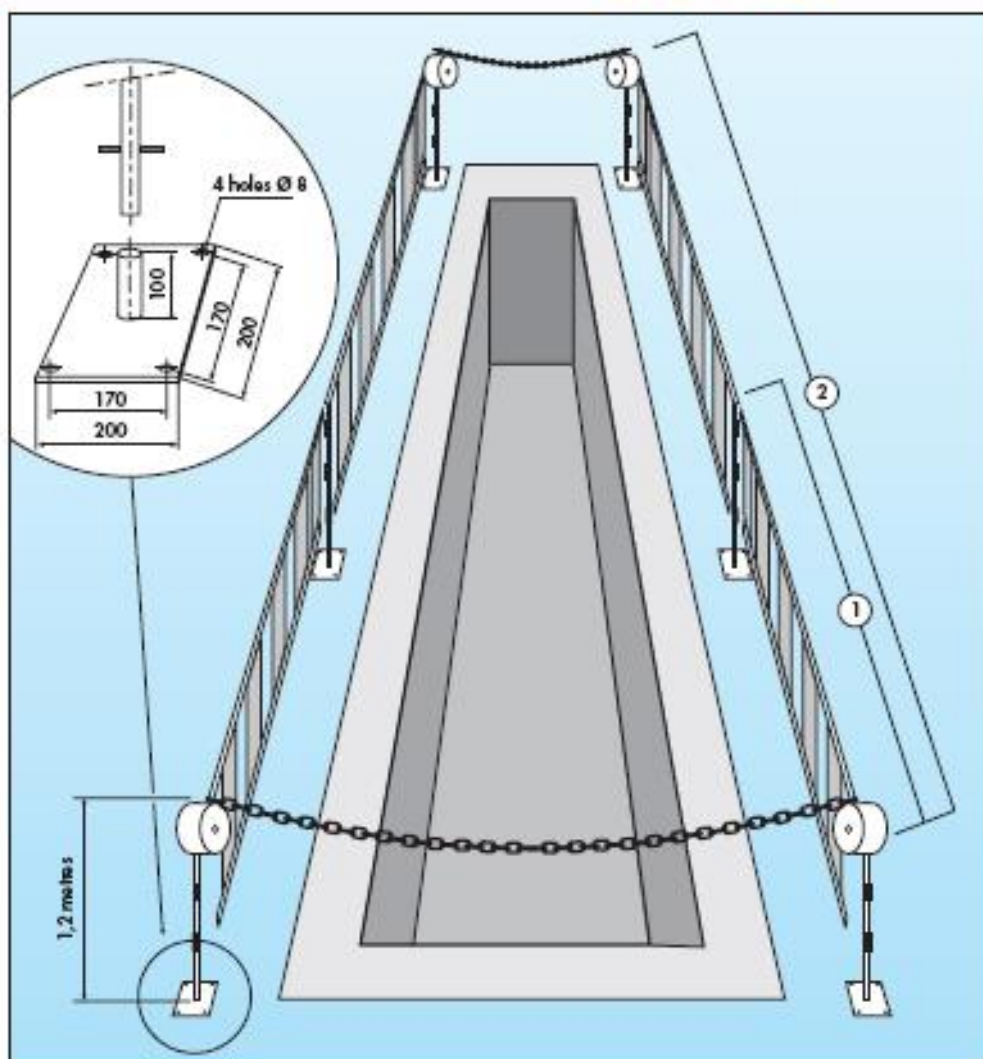
CAPACITY AND WEIGHT

Model	Banner length	Wire rope		Weight in Kg	Spare spring type S = series
		length	dia.		
20 PN 12 (R)	12 m	13 m	2,5 mm	7	(2S) 101029
20 PN 14 (R)	14 m	15 m	2,5 mm	7	(2S) 101029
30 PN 16 (R)	16 m	17 m	4 mm	15	(2S) 115141

DIMENSIONS

Model	A	B	C	D
20 PN 12	193	210	53	145
20 PN 14	193	210	53	145
30 PN 16	303	312	88	184

PIT KITS



1 - PIT KIT 14 Metres

Comprising:

- 2 x 14m barrier reels
- 4 poles
- 4 plates
- 2 x 2.5m of red and white plastic chain
- 18 screws, 18 pegs, 18 washers
- 1 assembly drawing

2 - PIT KIT 28 Metres

Comprising:

- 4 x 14m barrier reels
- 6 poles
- 6 plates
- 2 x 2.5m of red and white plastic chain
- 26 screws, 26 pegs, 26 washers
- 1 assembly drawing

MOBILE, EXHAUST-FUME EXTRACTOR

PROPULS'AIR

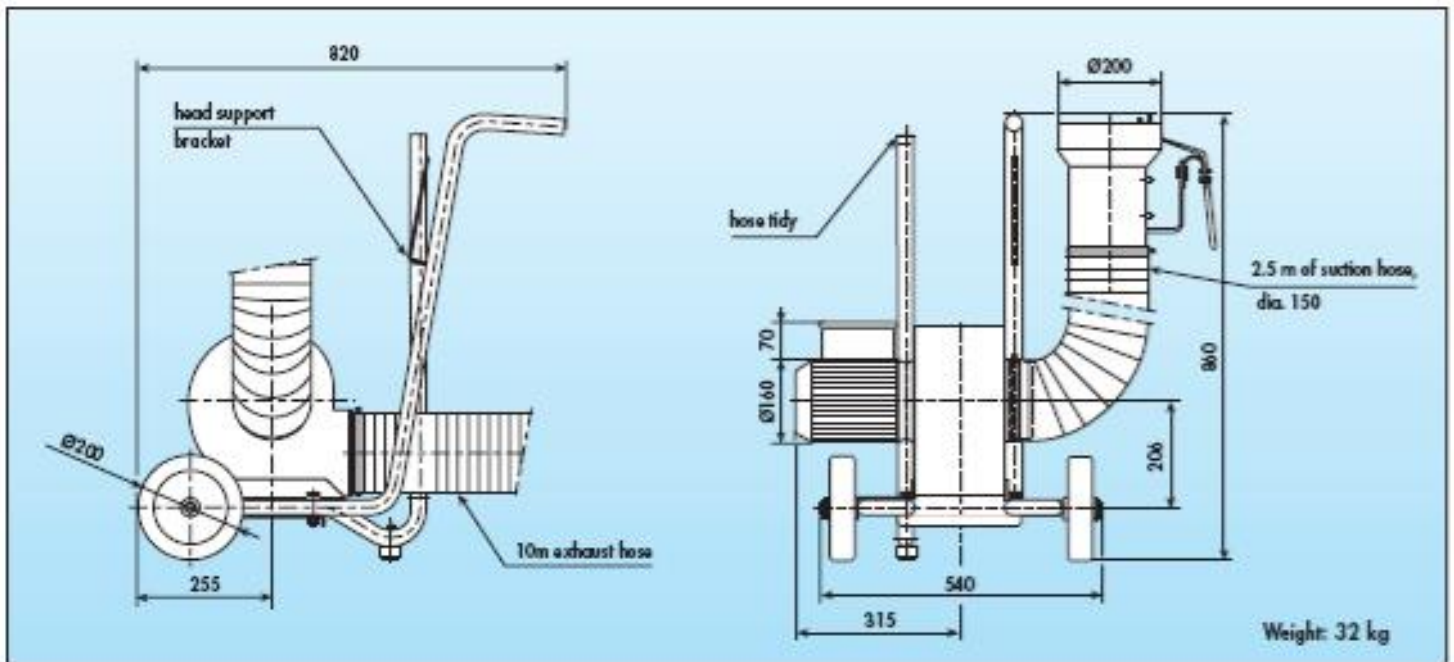


APPLICATION

- For private and commercial vehicles
- Ready for immediate use
- Easy to use
- Captures and eliminates exhaust fumes
- Improves working conditions
- Ensures the safety of personnel

CONSTRUCTION

- Mounted on a two-wheel chassis for easy movement
- Fitted with a high capacity extraction motor
- Extraction hose fitted with easy-to-use clamp
- Flexible hose allowing speedy evacuation of fumes
- Epoxy paint protection



CHARACTERISTICS

- 1900m³/h ventilator with a load loss corresponding to a water column of height 70 mm
- 1.1 Kw motor, 3000 revs/minute, 230 V/50 Hz, In = 7A
- Internal protection against overloading
- IP 55, F class protection
- Single-phase power by 20 cm long cable
- Control by M / A switch, mounted on the terminal board
- Galvanised steel head with attachment grip and protective grill
- Hoses stored on the equipment:
 - Suction: dia. 150mm – Length 2.5m
 - Exhaust: 150mm – length 10m
- Maximum inlet temperature:
 - Suction: 140°
 - Exhaust: 60°
- Tubular chassis with two rubber-banded wheels of 200mm diameter





*EEN INTERNATIONALE KWALITEIT TEN DIENSTE VAN ONZE KLANTEN
UNE QUALITE INTERNATIONALE AU SERVICE DE NOTRE CLIENTELE*



*EEN VERZORGDE SNELDIENST
UN SERVICE RAPIDE ET SOIGNE*



*EEN GEWAARDE ONDERVINDING
UNE EXPERIENCE A TOUTE EPREUVE*



*UW TECHNISCHE PARTNER TOT UW DIENST
VOTRE PARTENAIRE TECHNIQUE A VOTRE SERVICE*

SA PROMEBAT NV

Tel.: 0032 (0)2 376 45 98 -*-*-*- Fax: 0032 (0)2 332 28 70
URL: www.promebat.be -*-*-*- mail: info@promebat.be